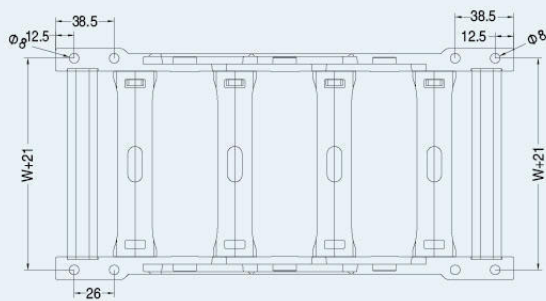


TLX45K bridge type cable chain



型号 Type	内腔(高×宽) Inside Diameter (height × width) (mm)	外径(高×宽) Outside Diameter (height × width) (mm)		弯曲半径(R) Bending radius (mm)	节距 Pitch (mm)
		单联	并联		
TLX45K.50	45 × 51	70 × 79	70 × 94+...	75.100.125.150. 175.200.250	74
TLX45K.60	45 × 61	70 × 89	70 × 104+...		74
TLX45K.75	45 × 76	70 × 104	70 × 119+...		74
TLX45K.100	45 × 101	70 × 129	70 × 144+...		74
TLX45K.125	45 × 126	70 × 154	70 × 169+...		74
TLX45K.150	45 × 151	70 × 179	70 × 194+...		74
TLX45K.175	45 × 176	70 × 204	70 × 219+...		74
TLX45K.200	45 × 201	70 × 229	70 × 244+...		74
TLX45K.250	45 × 251	70 × 279	70 × 294+...		74
TLX45K.300	45 × 301	70 × 329	70 × 344+...		74

全塑接头/Plastic Connector:



金属接头/Metal connector:

