

JR-2



JR-2 type rectangle metallic hoses (totally enclosed reinforced type)



Construction and applications

The rectangle metallic hoses suitable for all types of metal cutting machine tools and slicing machines. Protect working personnel, electric circuits, water supplying piping systems and gas loops from damaging or injured.

The product is according to the standard JB/GQ58285.

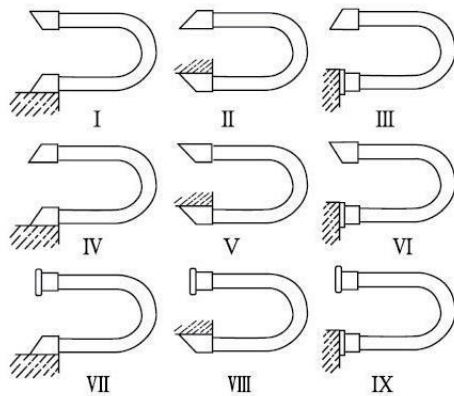
Model selection

1. Give a clear indication of the specifications and model numbers as given below;

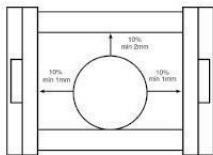
A X B X L – assembly type; L–hose length, including the assembly of the connectors, please see the hose assembly figure for specifics: I ~ IX

2. Special connector types: a – c;

Example: 25 × 50 × 1200 – I 、 25 × 50 × 1200 – AB – III

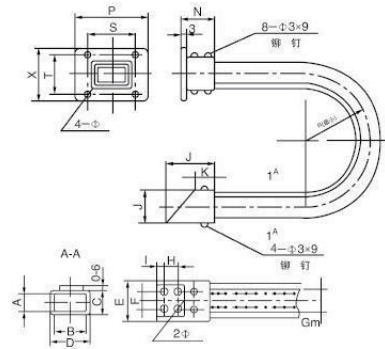


Hose assembly figure



Positions of cables and gas pipes within the rectangle hose

Connector dimension figure



Note: 1. When laid horizontally, a drag plate with enough length underneath should be provided.

2. When laid horizontally, a length that exceeds the length as given the table is allowed to use, but a rolling backing point is recommended to add at an appropriate position so as to avoid hose bending.

Connector's dimensions and specifications

内径(A×B) Inside Diameter	外径(C×D) Outside Diameter	E	F	G	H	I	L	J	K	N	P	S	X	T	Ø	R	轴向拉力(kg) Axial pulling force	重量(kg/米) Weight(kg/m)	允许承重 (kg)	允许长度 (m)
22×32	27.5×36.7	38	18	25	22	10	23	60	20	40	78	60	55	38	5.5	70	35	1.3	3	2
25×50	31.5×54.5	58	30	35	25	10	33	70	25	50	90	75	60	45	5.5	90	40	1.75	6.5	3
35×60	40.1×64.4	69	40	45	25	10	44	70	30	50	100	80	70	52	5.5	100	50	2.1	10.5	3
38×73	43.7×77.8	82	50	55	35	10	47	90	35	55	110	85	82	62	6.5	110	60	2.36	11.5	4
40×80	45.4×84.7	89	50	65	50	15	49	120	40	60	120	100	90	68	9	120	70	2.5	12.5	5
52×102	57.5×107.8	113	65	80	50	15	63	130	45	60	140	120	100	80	9	140	75	2.85	16.5	6
60×120	67.5×127.7	132	90	90	80	20	71	150	45	70	170	146	110	84	9	180	80	3.15	20	7
60×130	65.1×134.4	141	95	100	90	20	71	160	50	75	180	150	120	90	9	180	80	3.25	22	8
72×162	78.4×168.2	184	120	120	100	20	82	180	60	80	210	180	130	100	9	210	80	4.5	24	8