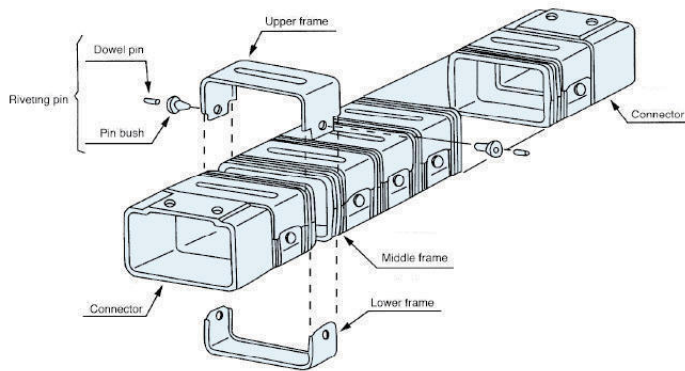
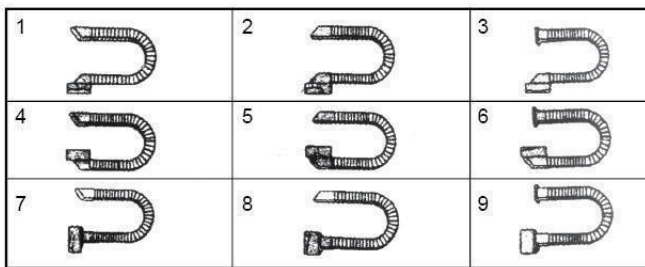


DGT

BESSERN® (Totally enclosed and nice-looking) DGT type conduit shield



Schematic drawing for assembly



型号 Type	1#	2#	3#	4#	5#	6#	7#
规格 Spec.	25 × 45	38 × 73	45 × 90	52 × 102	60 × 120	60 × 150	72 × 162
外型 Appearance	39 × 62	53 × 91	61 × 108	70 × 122	81 × 144	81 × 184	93 × 186
弯曲半径 Bending radius	60	100	120	140	160	165	185
不支撑长度M Length for non-supporting	1.5	2	2.2	2.5	2.7	2.9	3.0
负载重量 Load Weight	3	4	5	8	10	14	20

Construction and Applications

It consists of an outer sleeve being chromium plated, stainless steel and plastics pieces and engineering plastic reinforced nylon fibre. The stainless steel bushing is polished. It has some engineering plastic items. It is featured by rational construction, high strength, non-deformation and has nice-looking appearance.

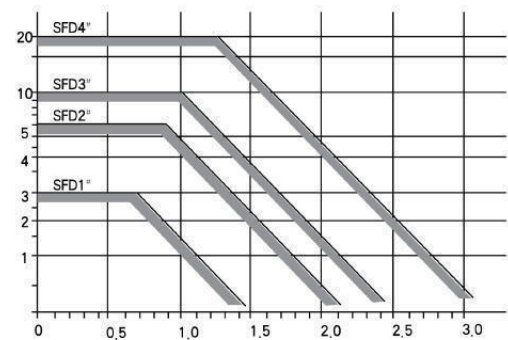
Easy installation. It is suitable for various of electrical of the machine tools, protection for hydraulic pneumatic pipelines and decoration of main machineries and provide the operating personnel with safe working conditions and better the competitiveness of machine tools and machineries in the international market.

Selections

Please give a clear indication of specifications and model numbers as shown below:

- (1) For instance, 1#1200-A-II or 25 x 45 x 1200-A-II
 - (2) For instance, 3#1800-AB-III or 52 x 102 x 1800-AB-III
- For your selection, please note the specifications and model numbers and assembly mode A, B, C, D.

Relationship between drag length and load when support wheel is not allowed to be used.



Load when support wheel is not allowed to be used M