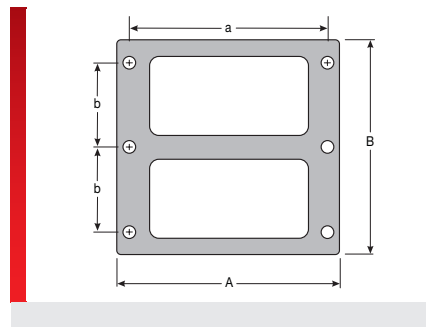
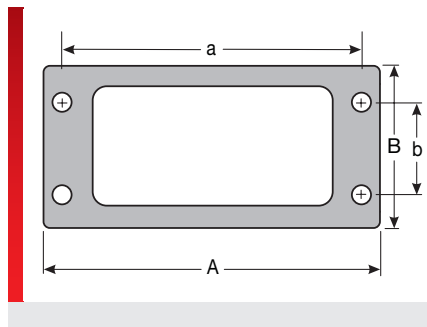
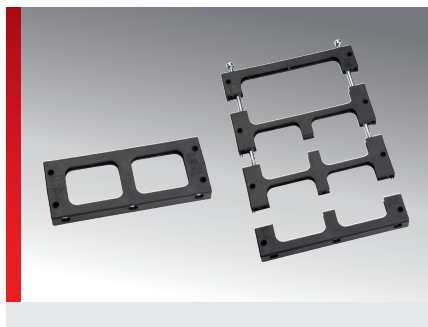


Cable entry system, type KDL/S 24



PRODUCT INFORMATION

The Type KDL/S 24 cable entry system is a custom plate that allows various kinds of cables to be inserted to accommodate customers' requests and to be able to seal openings. The internal KDT/S-K and KDT/S-G grommets can be custom designed based on the customer requests.

- Individual solutions
- Matching grommet: KDT/S-K and KDT/S-G

SPECIFICATIONS

- Polyamide 6.6
- 40 – 80 °C
- V0

Type	Order No.	Colour	MOQ qty.
KDL/S-G 24	87173032	Black	1
KDL/S-G 24/2	87173036	Black	1
KDL/S-G-K 24/3	87173038	Black	1
KDL/S-K 24	87173030	Black	1
KDL/S-K 24/4	87173034	Black	1

DIMENSION TABLE

Type	Order No.	A mm	B mm	a mm	b mm
KDL/S-G 24	87173032	142.00	58.00	130.00	32.00
KDL/S-G 24/2	87173036	142.00	102.00	130.00	38.00
KDL/S-G-K 24/3	87173038	142.00	102.00	130.00	38.00
KDL/S-K 24	87173030	142.00	58.00	130.00	32.00
KDL/S-K 24/4	87173034	142.00	102.00	130.00	38.00

Polyamide 6.6

Temperature / temperature range
-40 – 80 °C

Cable entry system, type KDL/S 24



Fire classification

V0



LABS free



According to EN -2-1



RoHS (EC Directive 2011/65/EU)



Made in Germany

All details given in our sales brochures and catalogues, as well as the information available online, are based on our current knowledge of the products described.

The electronic data and files made available by Murrplastik, particularly CAD files are based on our current knowledge of the product described.

A legally binding assurance of certain properties or the suitability for a certain purpose can not be determined from this information.

All information with respect to the chemical and physical properties of Murrplastik products, as well as application advice given verbally, in writing or by tests, is given to the best of our knowledge.

They do not release the buyer from the obligation to carry out his own tests and trials in order to determine the concrete suitability of the products for the intended purpose.

Murrplastik accepts no responsibility for the available information being up-to-date, correct or complete. Neither do we accept responsibility for the quality of this information.

Murrplastik accepts no liability for damage caused as a result of using our products.

Murrplastik reserves the right to make technical changes and improvements through constant further development of products and services.

Our General Terms and Conditions apply.