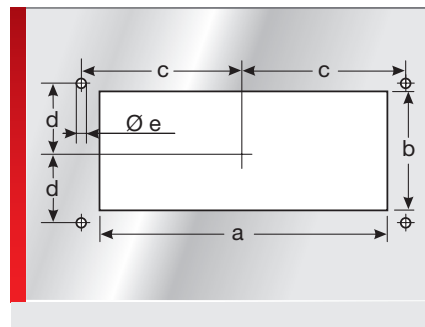
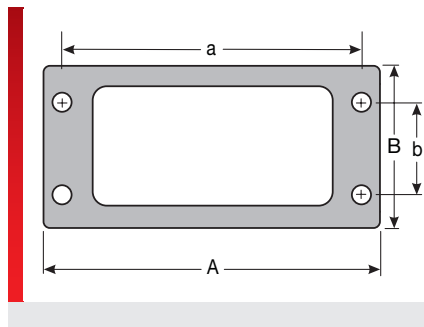


## Cable entry system, type KDL/S 16



KDL/S Cable entry system

### PRODUCT INFORMATION

The KDL/S cable entry system is a custom plate that allows various kinds of cables to be inserted to accommodate customers' requests and to be able to seal openings. The internal KDT/S grommet can be custom designed based on the customer's requirements.

- Fits standard cut-outs for 16-pin plug connectors (e.g. Harting, Wieland and Rittal).
- Individual solutions
- Matching grommet: KDT/S

### SPECIFICATIONS

- Polyamide 6.6
- 40 – 80 °C
- IP 54 (with suitable grommets and cables)
- V0

Type	Order No.	Colour	MOQ qty.
<b>For standard cut-out size 16</b>			
KDL/S 16	87173004	Black	1

### DIMENSION TABLE

Type	Order No.	A mm	B mm	C mm	D mm	a mm	b mm	c mm	d mm	e mm	EH mm
<b>For standard cut-out size 16</b>											
KDL/S 16	87173004	116.00	58.00	82.00	43.00	86.00	36.00	51.50	16.00	5.50	15.00

### MATERIAL PROPERTIES

Polyamide 6.6

### THERMAL PROPERTIES

**Temperature / temperature range**  
-40 – 80 °C

### MECHANICAL PROPERTIES

**Protection class**  
IP 54 (with suitable grommets and cables)

## Cable entry system, type KDL/S 16

### FIRE PROPERTIES



**Fire classification**  
V0

### TECHNICAL INFORMATION



**According to EN -2-1**

### CONFORMITY



**RoHS (EC Directive 2011/65/EU)**



**Made in Germany**

All details given in our sales brochures and catalogues, as well as the information available online, are based on our current knowledge of the products described.

The electronic data and files made available by Murrplastik, particularly CAD files are based on our current knowledge of the product described.

A legally binding assurance of certain properties or the suitability for a certain purpose can not be determined from this information.

All information with respect to the chemical and physical properties of Murrplastik products, as well as application advice given verbally, in writing or by tests, is given to the best of our knowledge.

They do not release the buyer from the obligation to carry out his own tests and trials in order to determine the concrete suitability of the products for the intended purpose.

Murrplastik accepts no responsibility for the available information being up-to-date, correct or complete. Neither do we accept responsibility for the quality of this information.

Murrplastik accepts no liability for damage caused as a result of using our products.

Murrplastik reserves the right to make technical changes and improvements through constant further development of products and services.

Our General Terms and Conditions apply.