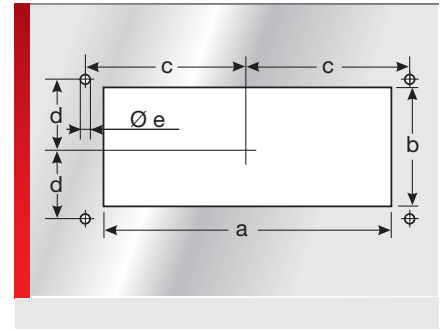
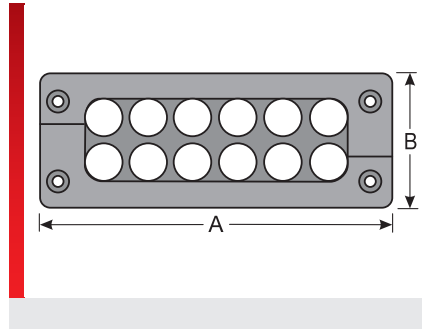
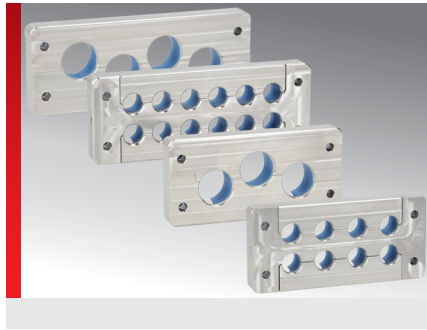


Cable entry plate KDL/H-VA FDA



KDL/C -/D -/H cable entry system

PRODUCT INFORMATION

The corrosion-free cable entry system for the insertion of pre-assembled cables in a very stable and robust design made of stainless steel and FDA compliant material for the food industry.

- 2-piece or 3-piece frame
- Easy assembly
- High packing density for up to 48 cables

- Integrated strain relief
- Made of FDA compliant material especially for the food industry
- Suitable for standard cut-outs for 24-pin and 16-pin industrial connectors
- Matching grommet: KDT/X-FDA
-
-

SPECIFICATIONS

	-40 – 80 °C
	IP 69K

Type	Order No.	Colour	No. Openings Small / medium / large	Material	Frame material	MOQ qty.
For standard cut-out size 24						
KDL/H-VA-FDA 24/12, Set	87141882	Materialtypisch	12	VA	Stainless steel	1
KDL/H-VA-FDA 24/4, Set	87141880	Materialtypisch	4	VA	Stainless steel	1
For standard cut-out size 16						
KDL/H-VA-FDA 16/8, Set	87141877	Materialtypisch	8	VA	Stainless steel	1
KDL/H-VA-FDA 16/3, Set	87141874	Materialtypisch	3	VA	Stainless steel	1
Special size						
KDL/H-VA-FDA 1/6, Set	87141870	Materialtypisch	6	VA	Stainless steel	1

DIMENSION TABLE

Type	Order No.	Installation height (EH) mm	A mm	B mm	a mm	b mm	c mm	d mm	e mm
For standard cut-out size 24									
KDL/H-VA-FDA 24/12, Set	87141882	18.00	148.00	58.00	112.00	36.00	65.00	16.00	5.50
KDL/H-VA-FDA 24/4, Set	87141880	18.00	148.00	58.00	112.00	36.00	65.00	16.00	5.50
For standard cut-out size 16									
KDL/H-VA-FDA 16/8, Set	87141877	18.00	121.00	58.00	86.00	36.00	51.50	16.00	5.50
KDL/H-VA-FDA 16/3, Set	87141874	18.00	121.00	58.00	86.00	36.00	51.50	16.00	5.50
Special size									
KDL/H-VA-FDA 1/6, Set	87141870	18.00	148.00	38.00	112.00	17.00	65.00	16.00	5.50

Cable entry plate KDL/H-VA FDA



Temperature / temperature range

-40 – 80 °C



Protection class

IP 69K



Halogen-free



RoHS (EC Directive 2011/65/EU)



Made in Germany

All details given in our sales brochures and catalogues, as well as the information available online, are based on our current knowledge of the products described.

The electronic data and files made available by Murrplastik, particularly CAD files are based on our current knowledge of the product described.

A legally binding assurance of certain properties or the suitability for a certain purpose can not be determined from this information.

All information with respect to the chemical and physical properties of Murrplastik products, as well as application advice given verbally, in writing or by tests, is given to the best of our knowledge.

They do not release the buyer from the obligation to carry out his own tests and trials in order to determine the concrete suitability of the products for the intended purpose.

Murrplastik accepts no responsibility for the available information being up-to-date, correct or complete. Neither do we accept responsibility for the quality of this information.

Murrplastik accepts no liability for damage caused as a result of using our products.

Murrplastik reserves the right to make technical changes and improvements through constant further development of products and services.

Our General Terms and Conditions apply.