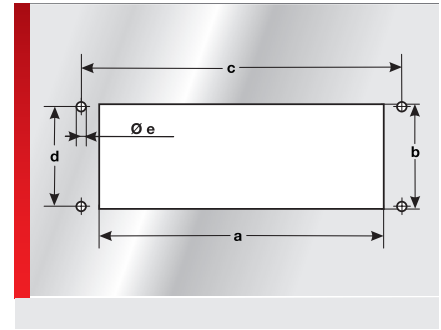
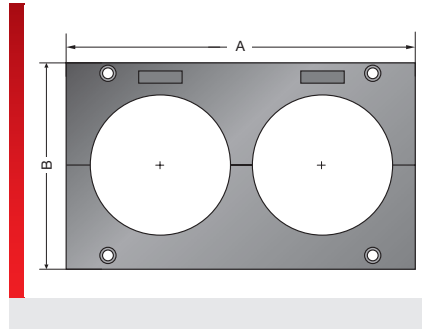


Type KDL-Jumbo cable entry system



KDL-Jumbo cable entry system

PRODUCT INFORMATION

The KDL-Jumbo cable entry system is used for inserting pre-assembled cables and corrugated conduits (EW & EWX corrugation). The KDL-Jumbo system is a fully splittable system that enables the quick and simple installation of 1 or 2 pre-assembled cables or corrugated conduits with a diameter of between 30 mm and 65 mm in control cabinets and terminal boxes. Particular benefits of the KDL-Jumbo noise attenuation liner:

- Cable infeed without interruption
- Very robust and completely splittable system
- Integrated, permanent (captive) seal
- High protection class IP65
- Labelling with KSS 20x9 and KSS 10x8 labels
- Integrated strain relief at the grommets
- Fire classification V0 per UL94
- Supply includes all mounting materials.

SPECIFICATIONS

- Polyamide 6.6, PUR
- 30 – 100 °C
- IP 65 (with suitable grommets and cables)
- V0

Type	Order No.	Colour	for Ø mm	No. Openings	MOQ qty.
KDL-Jumbo 1	87176110	Black	30.00 – 65.00	1	1
KDL-Jumbo 2	87176120	Black	30.00 – 65.00	2	1

DIMENSION TABLE

Type	Order No.	Installation height mm	A mm	B mm	a mm	b mm	c mm	d mm	e mm
KDL-Jumbo 1	87176110	35.00	110.00	116.00	90.00	90.00	57.00	101.00	7.00
KDL-Jumbo 2	87176120	35.00	200.00	116.00	180.00	90.00	147.00	101.00	7.00

MATERIAL PROPERTIES

Polyamide 6.6, PUR

Temperature / temperature range
-30 – 100 °C

MECHANICAL PROPERTIES

Protection class
IP 65 (with suitable grommets and cables)

Type KDL-Jumbo cable entry system

FIRE PROPERTIES



Fire classification
V0

TECHNICAL INFORMATION



LABS free



According to EN -2-1

CONFORMITY



RoHS (EC Directive 2011/65/EU)



Made in Germany

All details given in our sales brochures and catalogues, as well as the information available online, are based on our current knowledge of the products described.

The electronic data and files made available by Murrplastik, particularly CAD files are based on our current knowledge of the product described.

A legally binding assurance of certain properties or the suitability for a certain purpose can not be determined from this information.

All information with respect to the chemical and physical properties of Murrplastik products, as well as application advice given verbally, in writing or by tests, is given to the best of our knowledge.

They do not release the buyer from the obligation to carry out his own tests and trials in order to determine the concrete suitability of the products for the intended purpose.

Murrplastik accepts no responsibility for the available information being up-to-date, correct or complete. Neither do we accept responsibility for the quality of this information.

Murrplastik accepts no liability for damage caused as a result of using our products.

Murrplastik reserves the right to make technical changes and improvements through constant further development of products and services.

Our General Terms and Conditions apply.

© Murrplastik Systemtechnik GmbH • proID_57655-20201025-890287-kdh_kdl_jumbo